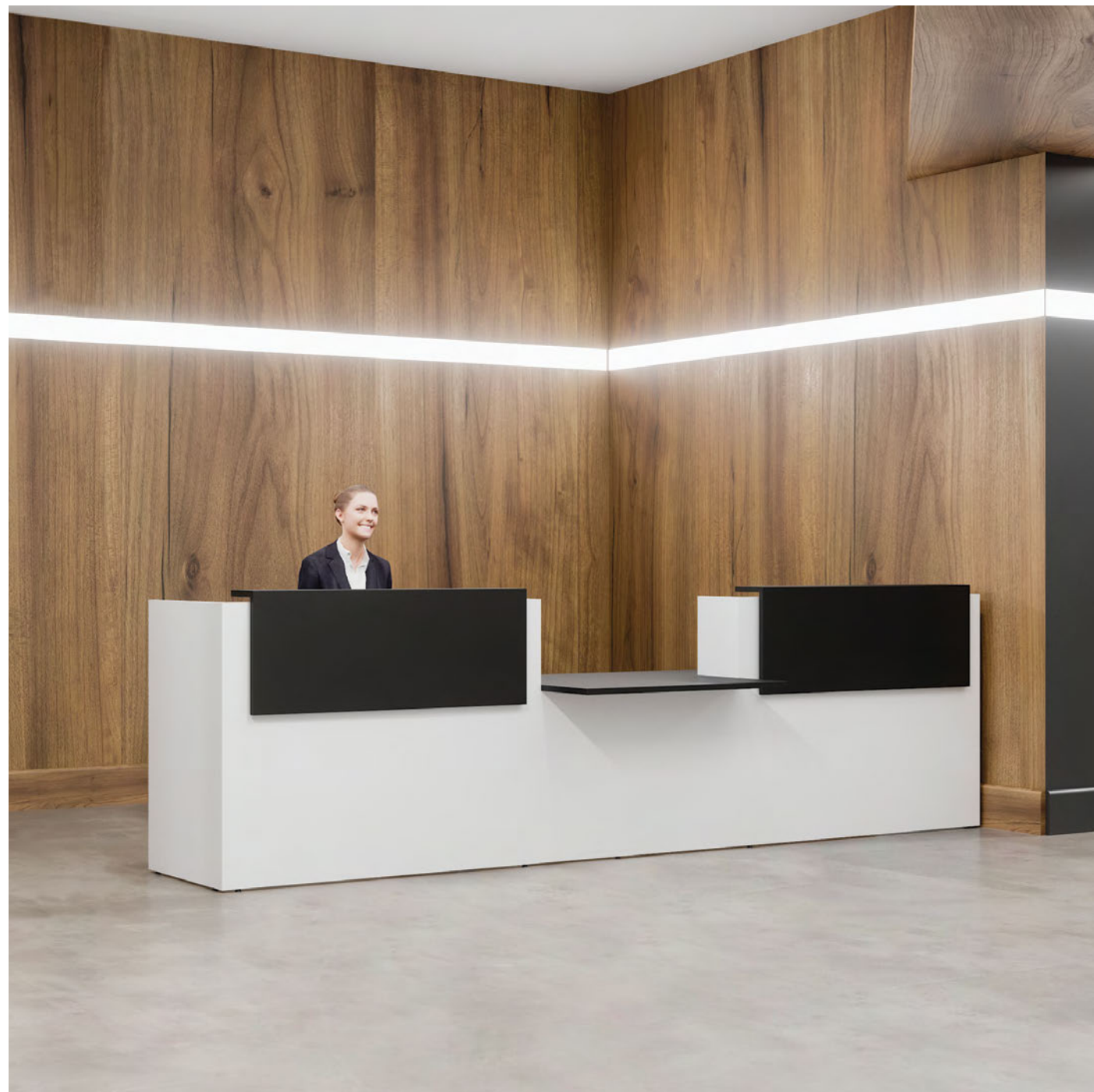




FIFTY-FULL

The **Fifty-Full** reception counter is a new, more complete, more modular and more customizable version of the Fifty-Fifty, thanks to its different modules. Equipped with high and low modules, this new, modern and functional reception counter is especially well-suited to welcome DDA wheelchair users.





 FIFTY-FULL

RECEPTION



CHARACTERISTICS

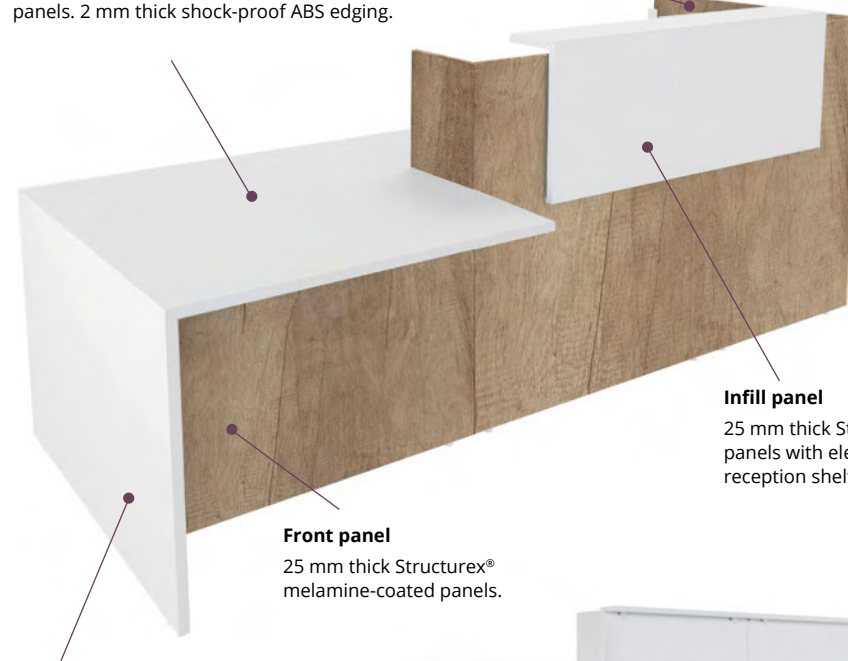


FIFTY-FULL



Top
25 mm thick Structurex® melamine-coated panels. 2 mm thick shock-proof ABS edging.

Side



Infill panel

25 mm thick Structurex® melamine-coated panels with elegant 45° mitre cut serving as reception shelf for visitors.

Front panel

25 mm thick Structurex® melamine-coated panels.

Leg

End DDA⁽¹⁾ unit leg and top are of the same finish.



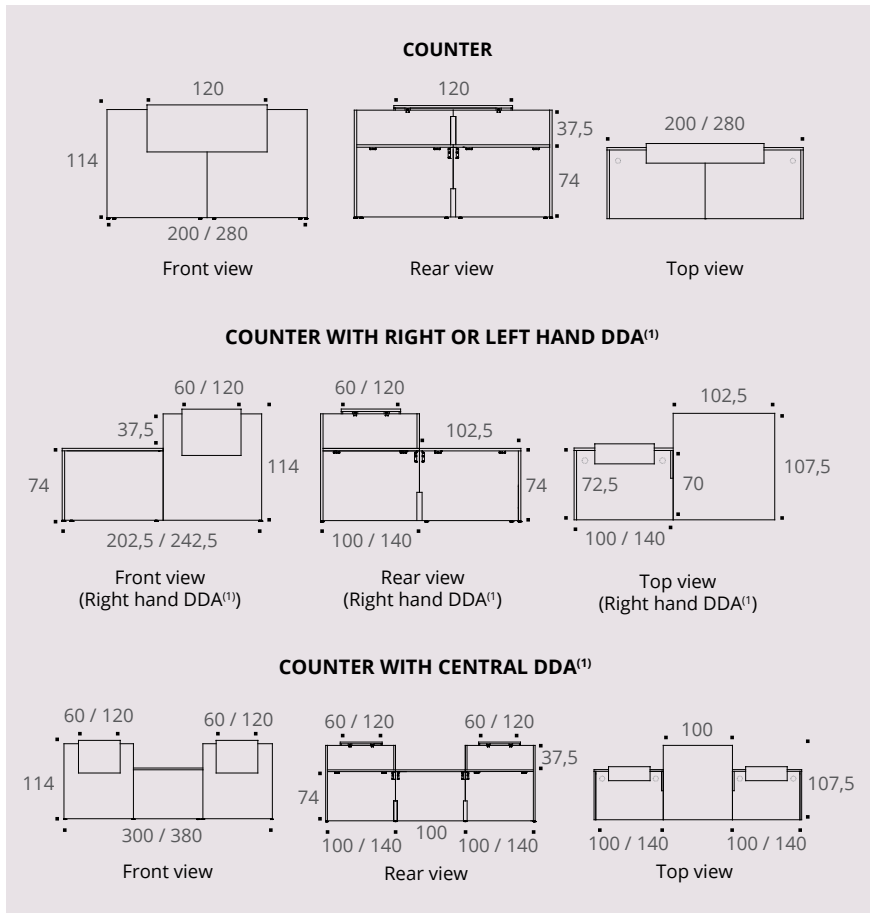
Support leg (optional)
Recommended for any installation of more than 3 aligned modules

Support brackets

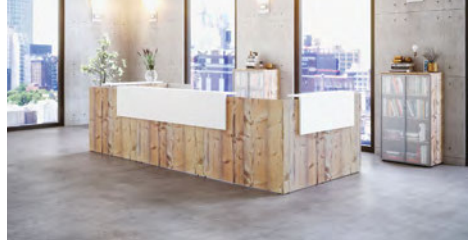
TECHNICAL DESCRIPTION

- 25 mm thick Structurex® melamine-coated panels.
- 2 mm thick shock-proof ABS edging.
- 25 mm thick Structurex® facing assembled with elegant 45° mitre cut serving as reception shelf for visitors. Available with or without inner and outer LED.
- All worktops are fitted with two Ø 80 mm part drilled cable ports for cable management (except for DDA tops).
- Corner or intermediate modules can be added to the reception counter to adapt to changing requirements (fixing and juxtaposition by brackets and connecting plates), to ensure mobility and ergonomics of use.
- Adjustable screw feet of diameter 25 mm and range 10 mm to compensate for any unevenness in the floor.

⁽¹⁾ DDA = Disability Discrimination Act



FIFTY-FULL



RECEPTION

1 PRE-COMPOSED COUNTERS

		Description	Dim. (cm)	Ref.	Front panel + side finishes	Leg + top + infill finishes
Reception counters D 77 / H 114 / L 200 cm Infill panel L 120 cm		Without LED	L 200	DM56	+ <input type="checkbox"/>	+ <input type="checkbox"/>
		With LED	L 200	DM57	+ <input type="checkbox"/>	+ <input type="checkbox"/>
Reception counters D 77 / H 114 / L 280 cm Infill panel L 120 cm		Without LED	L 280	DM58	+ <input type="checkbox"/>	+ <input type="checkbox"/>
		With LED	L 280	DM59	+ <input type="checkbox"/>	+ <input type="checkbox"/>

COUNTERS with central DDA⁽¹⁾

		Description	Dim. (cm)	Ref.	Front panel + side finishes	Leg + top + infill finishes
Reception counters D 107,5 / H 114 / L 300 cm 2 infill panels L 60 cm		Without LED	L 300	DM60	+ <input type="checkbox"/>	+ <input type="checkbox"/>
		With LED	L 300	DM61	+ <input type="checkbox"/>	+ <input type="checkbox"/>
Reception counters D 107,5 / H 114 / L 380 cm 2 infill panels L 120 cm		Without LED	L 380	DM62	+ <input type="checkbox"/>	+ <input type="checkbox"/>
		With LED	L 380	DM63	+ <input type="checkbox"/>	+ <input type="checkbox"/>

(1) DDA = Disability Discrimination Act



FIFTY-FULL



COUNTERS with right or left hand DDA⁽¹⁾

	Description	RIGHT HAND DDA ⁽¹⁾			LEFT HAND DDA ⁽¹⁾		
		Ref.	Front panel + side finishes	Leg + top + infill finishes	Ref.	Front panel + side finishes	Leg + top + infill finishes
Reception counters D 107,5 / H 114 L 202,5 cm Infill panel L 60 cm	Without LED	DM64	+ <input type="checkbox"/>	+ <input type="checkbox"/>	DM66	+ <input type="checkbox"/>	+ <input type="checkbox"/>
	With LED	DM65	+ <input type="checkbox"/>	+ <input type="checkbox"/>	DM67	+ <input type="checkbox"/>	+ <input type="checkbox"/>
Reception counters D 107,5 / H 114 L 242,5 cm Infill panel L 120 cm	Without LED	DM68	+ <input type="checkbox"/>	+ <input type="checkbox"/>	DM70	+ <input type="checkbox"/>	+ <input type="checkbox"/>
	With LED	DM69	+ <input type="checkbox"/>	+ <input type="checkbox"/>	DM71	+ <input type="checkbox"/>	+ <input type="checkbox"/>

► Options

	Dim. (cm)	Ref.	Finish
Single metal cable tray 	D 13 / H 12 / Useful H 4 cm / L 60	AF051K	Aluminium
		<input type="radio"/> ALUMINIUM	<input type="radio"/> WHITE
		<input type="radio"/> BLACK	
		Ref.	Ref.
Cable port covers 	Ø 80 mm - To fit into D 80 mm cable port Set of 2	AX061K	AX067S
			AX065G



(1) DDA = Disability Discrimination Act

FIFTY-FULL

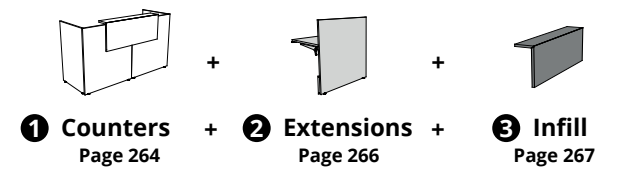


2 EXTENSIONS

	Dim. (cm)	Ref.	Front panel finish	Top finish
High intermediate units D 72,5 / H 109 cm Must be placed as an intermediary unit	L 100 extension	DM72	+ <input type="checkbox"/>	+ <input type="checkbox"/>
	L 140 extension	DM73	+ <input type="checkbox"/>	+ <input type="checkbox"/>
Intermediate DDA⁽¹⁾ unit D 107,5 / H 109 cm Must be placed as an intermediary unit	L 100	DM74	+ <input type="checkbox"/>	+ <input type="checkbox"/>
End DDA⁽¹⁾ unit D 107,5 / H 109 cm Must be placed at the end of reception counter, right or left hand	L 102,5	DM75	+ <input type="checkbox"/>	+ <input type="checkbox"/>
Left hand return units D 72,5 / H 109 cm	L 100	DM76	+ <input type="checkbox"/>	+ <input type="checkbox"/>
	L 140	DM77	+ <input type="checkbox"/>	+ <input type="checkbox"/>
Right hand return units D 72,5 / H 109 cm	L 100	DM78	+ <input type="checkbox"/>	+ <input type="checkbox"/>
	L 140	DM79	+ <input type="checkbox"/>	+ <input type="checkbox"/>

(1) DDA = Disability Discrimination Act

How to create your own reception counter?



Integration of 1 high intermediate unit

Integration of 1 intermediate DDA⁽¹⁾ unit

Integration of 1 end DDA⁽¹⁾ unit

Integration of 1 left hand return unit

Integration of 1 right hand return unit



FIFTY-FULL



RECEPTION

3 INFILL PANELS

	Description	Dim. (cm)	Ref.	Infill finish
Infill panels D 20,2 / H 47 cm <i>To be placed on an intermediate high module or return module</i>	Without LED	L 60	BY253	+
		L 120	BY273	+
	With LED	L 60	BY263	+
		L 120	BY283	+



► Options

	Dim. (cm)	ALUMINIUM Ref.	WHITE Ref.	BLACK Ref.
Cable port covers 	Ø 80 mm - To fit into D 80 mm cable port Set of 2	AX061K	AX067S	AX065G
Metal screen support For maximum 20 inch screen 	D 18 / H 22,5 / L 24	—	—	BY295G
Square support leg* <i>*Recommended for any installation of more than 3 aligned modules</i> 	50 x 50 For H 74 unit	DN011K	DN017S	DN015G
Single metal cable tray 	D 13 / H 12 / Useful H 4 / L 60 To be fixed to back panel	AF051K	—	—



How to order ? Infill panel L 120 cm, without LED, Timber MFC finish = BY273 +